



Chuděj s.r.o.

# VORTEX



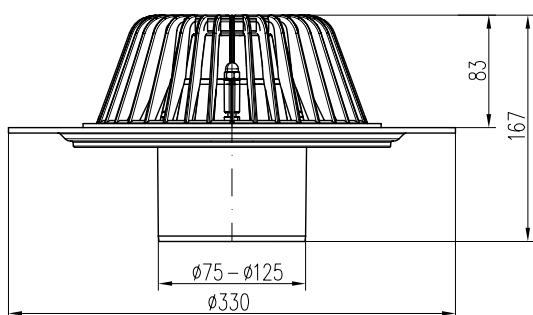
## VORTEX D 75 / D 110 / D 125

The VORTEX has been specially designed to efficiently remove rainwater from larger flat roofs; they conform to EN 1253 standard, VORTEX roof drain is made from UV stabilized PP and has a stainless steel clamping, bolts and nuts, according to DIN 1.4301. The upper inlet basket prevents the penetration of dirt. In the version VORTEX SVG 004, 005, 006 is supplied with self-regulating heating cable 10 W, which prevents freezing of the roof outlet.

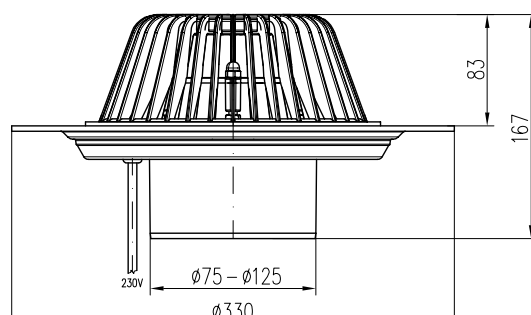
### Gravity system VORTEX:

- gravity drain is conforming to EN 1253
- available in dimensions D 75, D 110 and D 125
- low cost
- weatherproof
- made of PP with UV stabilizers
- suitable for roofs without thermal insulation and also for roofs with thermal insulation
- the heating cable with automatic power control

Part No.	Name	Flow rate [l / min]
SVG 001	Vortex D 75	355
SVG 002	Vortex D 110	395
SVG 003	Vortex D 125	550
SVG 004	Vortex D 75 with heating cable	355
SVG 005	Vortex D 110 with heating cable	395
SVG 006	Vortex D 125 with heating cable	550



option without heating cable



option with heating cable



Chuděj s.r.o.

# HYDROMAX



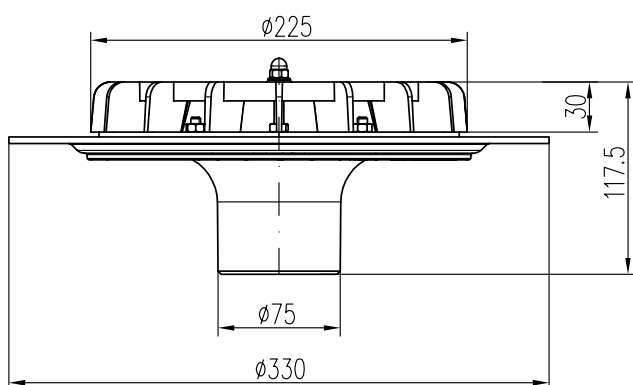
## HYDROMAX D 75

The HYDROMAX has been specially designed to efficiently remove rainwater from larger roofs; they conform to EN 1253 standard, EN12056-3:2000, BS 8490:2007 and ASME A112.6.9:2005. HYDROMAX roof drain is made from UV stabilized HDPE and has a stainless steel clamping, bolts and nuts, according to DIN 1.4301. Version HYDROMAX SV002 is supplied with a self-regulating heating cable 10 W, which prevents freezing of the roof outlet.

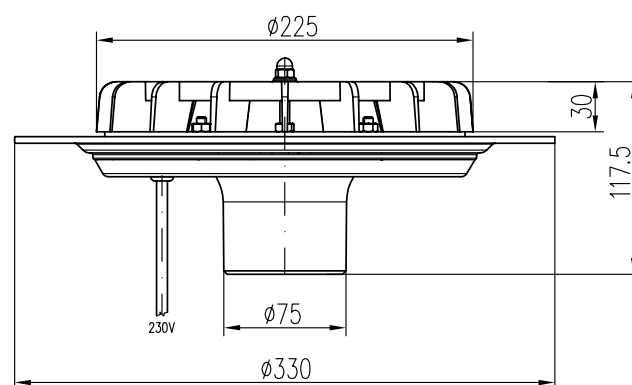
### Siphonic system HYDROMAX:

- water flow up to 20 l / s (dependant on pipework design)
- very efficient
- very low ponding levels on roof compared with gravity roof drain at same flows
- weatherproof
- the heating cable with automatic power control
- smaller pipe diameters
- use a lower number of roof water outlets, due to high water flow (subject to roof design)
- high velocity flow ensures that system pipework is self-cleaning

Part No.	Name	Flow rate [l / min]
SV 001	Hydromax D 75	up to 1200
SV 002	Hydromax D 75 with heating cable	up to 1200



option without heating cable



option with heating cable