



**FOR-TOP**

# SKIRTING BOARD TRIMS



White

Maple

Beech

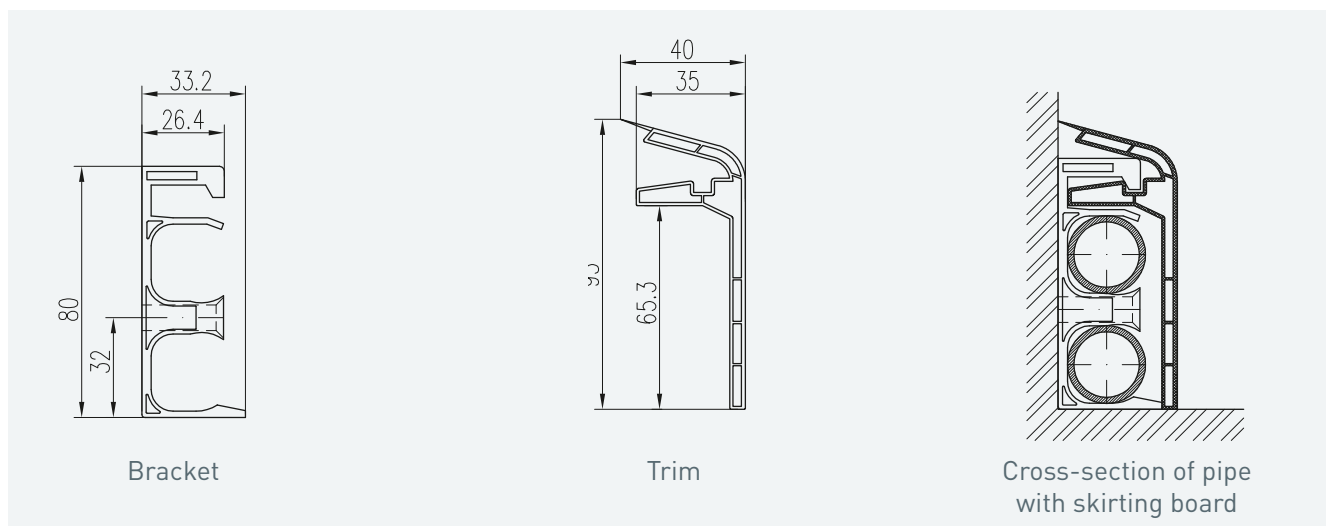
Oak

Cherry

## FOR-TOP

FOR-TOP systems allow heating and cable ducts to be covered easily and fast with a skirting board. They are suitable for use in reconstructions and modernization as well as in new structures. They are made from PVC.

- ✔ easy to assemble and disassemble
- ✔ suitable for pipes with diameter 12 - 22mm
- ✔ without cutting grooves in the wall
- ✔ easy access for duct repair
- ✔ without the need for masonry and painting work
- ✔ boards made of heat-resistant PVC
- ✔ 5 colour of design
- ✔ bracket and fitting made from PA and PS



Bracket

Trim

Cross-section of pipe with skirting board



Inner corner



Outer corner



End piece - right



End piece - left



Connecting piece



Connecting trim



Bracket