



# CHUDEJ<sup>®</sup>

STAINLESS STEEL DRAINAGE CHANNEL COVE

 CZECH MANUFACTURER

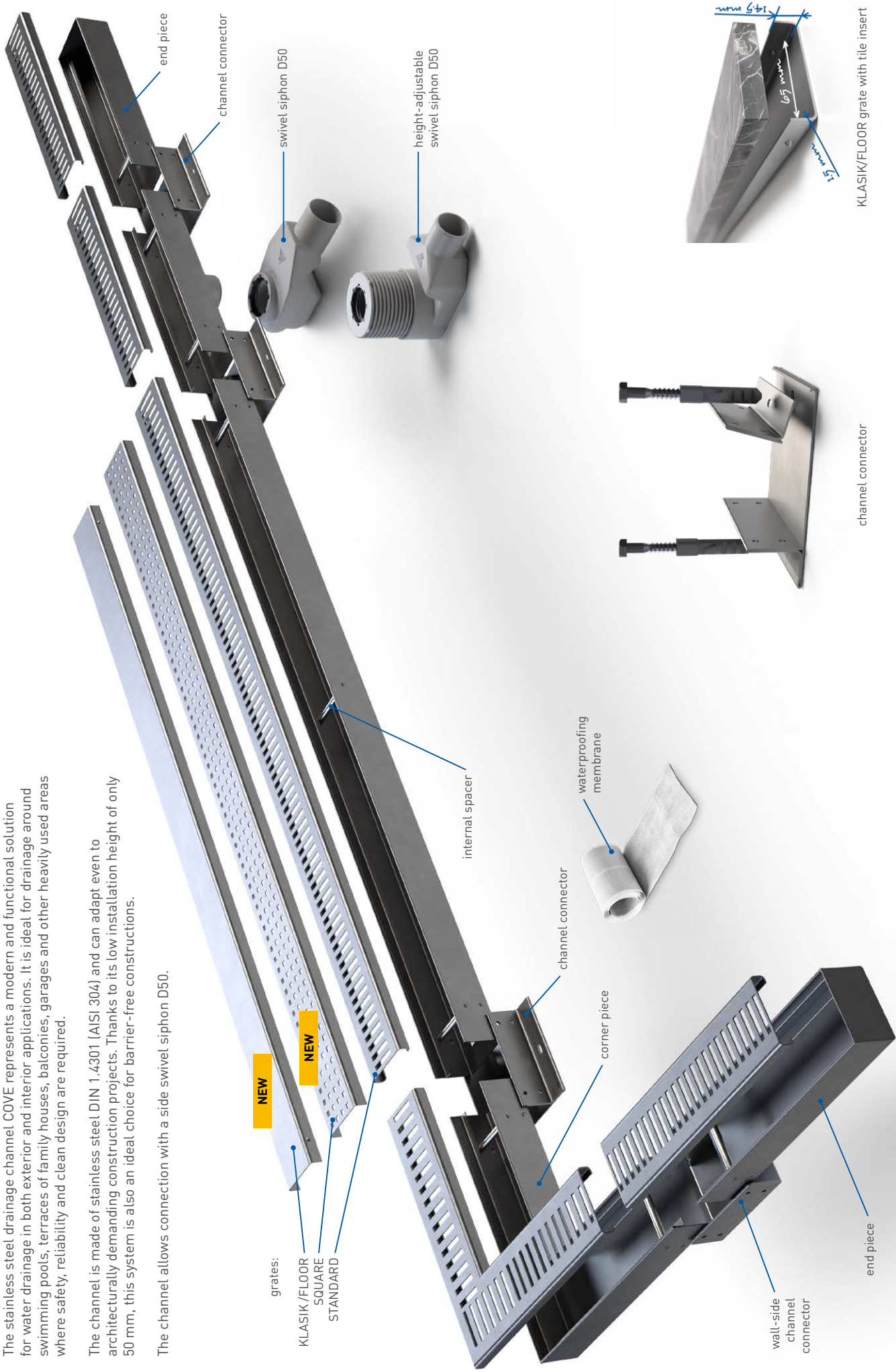
[WWW.CHUDEJ.EU](http://WWW.CHUDEJ.EU)

# Stainless steel drainage channel COVE

The stainless steel drainage channel COVE represents a modern and functional solution for water drainage in both exterior and interior applications. It is ideal for drainage around swimming pools, terraces of family houses, balconies, garages and other heavily used areas where safety, reliability and clean design are required.

The channel is made of stainless steel DIN 1.4301 (AISI 304) and can adapt even to architecturally demanding construction projects. Thanks to its low installation height of only 50 mm, this system is also an ideal choice for barrier-free constructions.

The channel allows connection with a side swivel siphon D50.



KLASIK/FLOOR grate with tile insert

channel connector

end piece